

7. Disposal of Pretensioner

A: PROCEDURE

WARNING:

Make sure to follow the instructions below. Otherwise, personal injuries may occur.

- Before discarding a pretensioner, always perform an activation process to prevent any false activation.
- Wear protective gloves, safety goggles and earplugs during this operation. Wash your hands afterwards.
- Do not touch the pretensioner just after activation because it is very hot. Before handling it for disposal, wait for 40 minutes.

CAUTION:

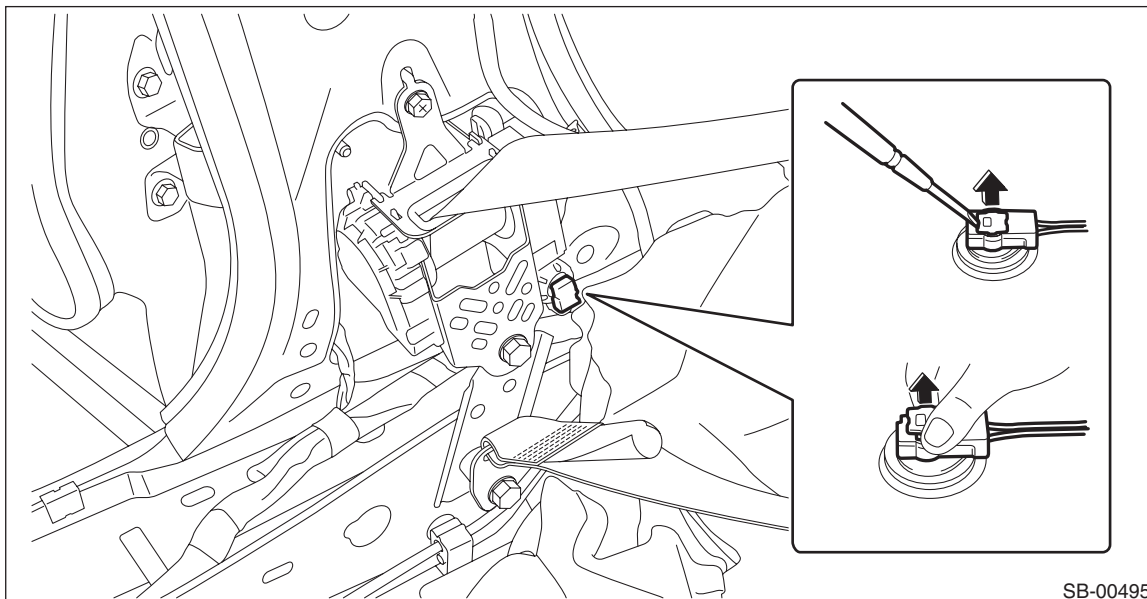
- Perform a pretensioner operation process in a safe, level place. Do not perform the process outdoors when there is a strong rain or wind.
- Do not drop or damage the pretensioner.
- A large explosive noise will occur when the pretensioner is deployed. Warn persons in the area, and do not allow anyone to approach a radius of 5 m (16 ft) from the discard location.
- After activating the pretensioner, smoke may arise. Therefore, always perform an operation process in a well-ventilated place without any smoke sensor.
- Do not expose the activated pretensioner to water.
- Wrap the activated pretensioner in a sealed vinyl bag when discarding.
- If it is impossible to perform a pretensioner activation process due to some situational reasons, consult SUBARU dealership or one of the authorized workshops.

- 1) Fold the backrest all the way forward, and move the front seat all the way forward.
- 2) Turn the ignition switch to OFF.
- 3) Disconnect the ground cable from battery and wait for at least 60 seconds before starting work. <Ref. to NT-5, BATTERY, NOTE, Note.>

NOTE:

For models other than STI model, disconnect the ground terminal from battery sensor.

- 4) Disconnect connector (a) of the pretensioner.



SB-00495

- 5) Short the alligator clip and terminal of the airbag deployment tool together.

CAUTION:

Short the airbag deployment tool terminals until just before the pretensioner operation process.

Preparation tool:

ST: AIRBAG DEPLOYMENT TOOL (98299PA030)

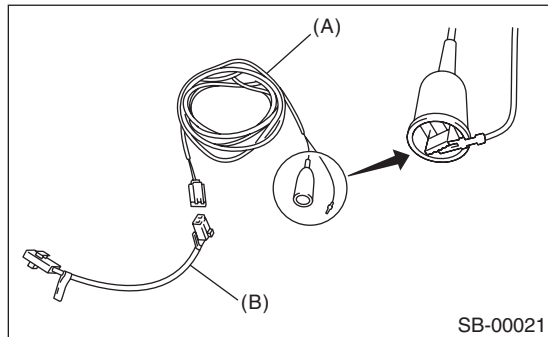
Disposal of Pretensioner

SEAT BELT SYSTEM

6) Connect the airbag deployment tool (A) and test harness adapter D (B).

Preparation tool:

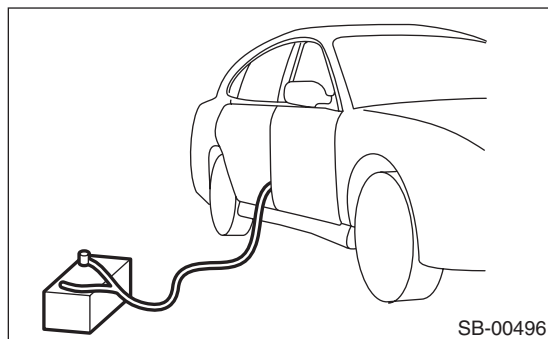
ST: TEST HARNESS ADAPTER D (98299SA010)



7) Connect the test harness adapter D connector to the pretensioner.

8) Make sure there is no one inside the vehicle.

9) Extend the wiring of the airbag deployment tool to its limit, and completely close all the windows and sun-roof.



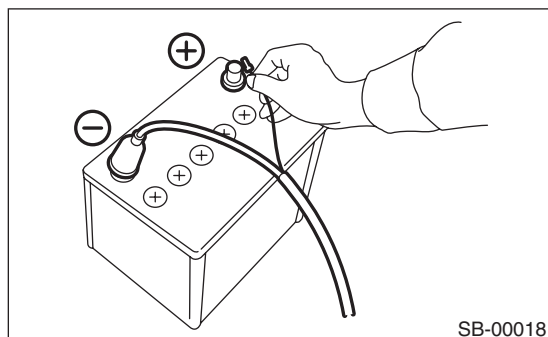
10) Move the battery 5 m (16 ft) or more from the vehicle, and affix nearby.

11) Connect the airbag deployment tool alligator clip to the battery negative (-) terminal.

12) Connect the other cable of airbag deployment tool to the battery positive (+) terminal, and activate the pretensioner.

CAUTION:

- After activation, the pretensioner will be extremely hot. Let it cool down for at least 40 minutes in an area with no one around.
- Do not expose the activated pretensioner to water.



13) Perform operation process of lap seat belt pretensioner from steps 13) to 21) for the passenger's side.

14) Disconnect the connector from the lap seat belt pretensioner.

15) Short the alligator clip and terminal of the airbag deployment tool together.

CAUTION:

Short the airbag deployment tool terminals until just before the pretensioner operation process.

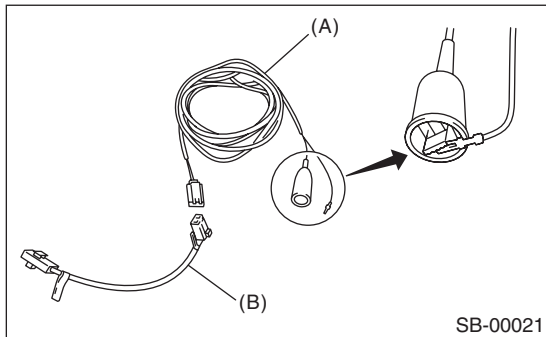
Preparation tool:

ST: AIRBAG DEPLOYMENT TOOL (98299PA030)

16) Connect the airbag deployment tool (A) and test harness adapter D (B).

Preparation tool:

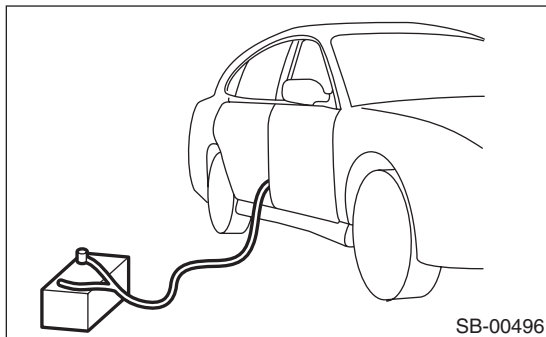
ST: TEST HARNESS ADAPTER D (98299SA010)



17) Connect the test harness adapter D connector to the lap seat belt pretensioner.

18) Make sure there is no one inside the vehicle.

19) Extend the wiring of airbag deployment tool to the limit, and close all the windows and sunroof completely.



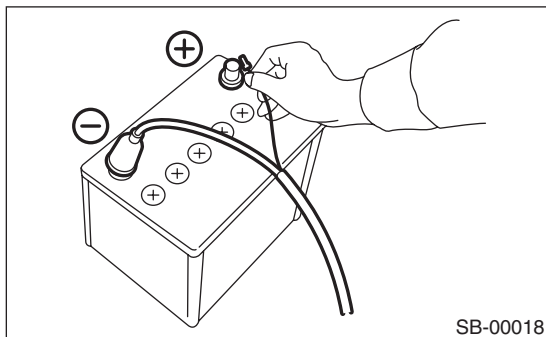
20) Move the battery 5 m (16 ft) or more from the vehicle, and affix nearby.

21) Connect the airbag deployment tool alligator clip to the battery negative (-) terminal.

22) Connect the other cable of airbag deployment tool to the battery positive (+) terminal, and activate the pretensioner.

CAUTION:

- After activation, the pretensioner will be extremely hot. Let it cool down for at least 40 minutes in an area with no one around.
- Do not expose the activated pretensioner to water.

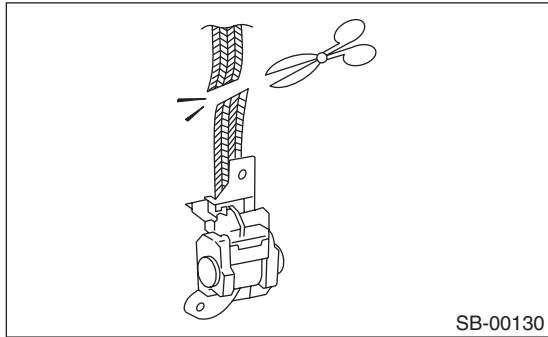


23) Remove the seat belt outer - front. <Ref. to SB-16, REMOVAL, Front Seat Belt.>

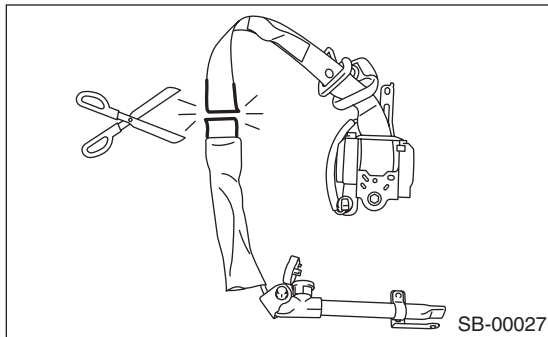
Disposal of Pretensioner

SEAT BELT SYSTEM

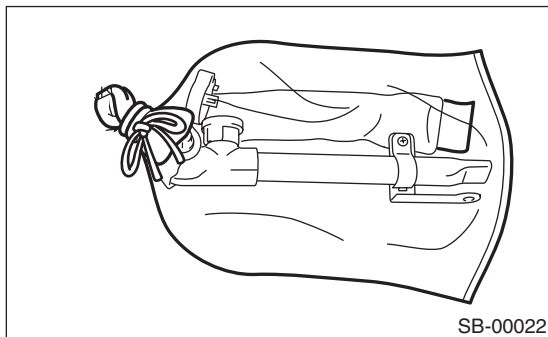
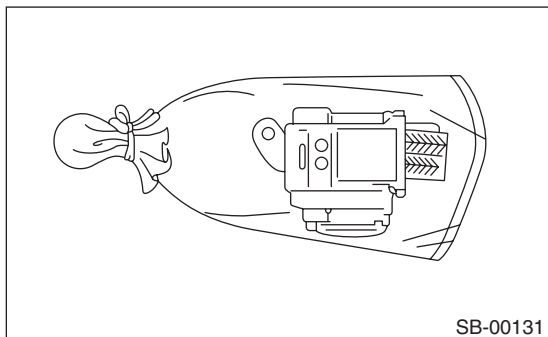
24) Cut the seat belt at a position as close as possible to the seat belt retractor.



25) Cut the seat belt at a position as close as possible to the lap seat belt pretensioner.



26) Place the activated pretensioner in a sealed vinyl bag, then discard.



LIGHTING SYSTEM



	Page
1. General Description	2
2. Relay and Fuse	4
3. Headlight System	6
4. Day Time Running Light System	9
5. Clearance Light and Illumination Light System	10
6. Front Fog Light System	11
7. Turn Signal Light and Hazard Light System	12
8. Back-up Light System	13
9. Stop Light System	14
10. Interior Light System	15
11. Auto Headlight Beam Leveler System	16
12. Combination Switch (Light)	18
13. Light Control Sensor	21
14. Headlight Assembly	23
15. Headlight Bulb	29
16. Hazard Switch	31
17. Turn Signal Light & Hazard Light Module	33
18. Front Turn Signal Light Assembly	35
19. Front Turn Signal Light Bulb	38
20. Clearance/Parking Light Bulb	39
21. Front Side Marker Light Bulb	40
22. Front Fog Light Assembly	41
23. Front Fog Light Bulb	46
24. Side Turn Signal Light Assembly	48
25. Rear Combination Light Assembly	49
26. Tail/Stop Light Bulb	52
27. Rear Turn Signal Light Bulb	53
28. Rear Side Marker Light Bulb	54
29. Back-up Light Bulb	55
30. License Plate Light	56
31. High-mounted Stop Light	58
32. Spot Map Light	60
33. Room Light	62
34. Trunk Room Light	64
35. LED Illumination Light	66
36. Vanity Mirror Light	68
37. Ignition Switch Illumination	69
38. Auto Headlight Beam Leveler Control Module	71
39. Rear Height Sensor	74
40. Day Time Running Resistor	76
41. Door Switch	78